

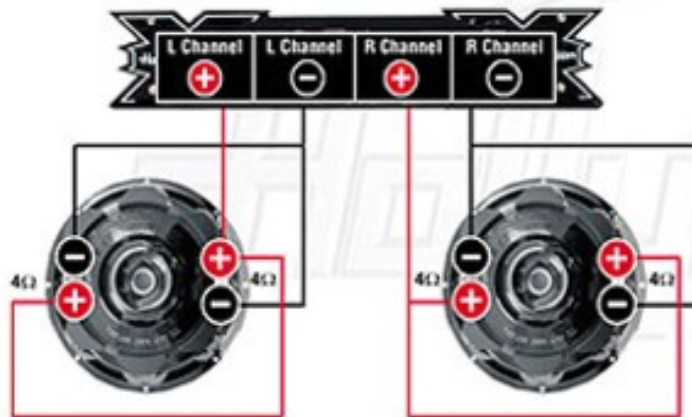
Parallel to 2Ω (OHM)



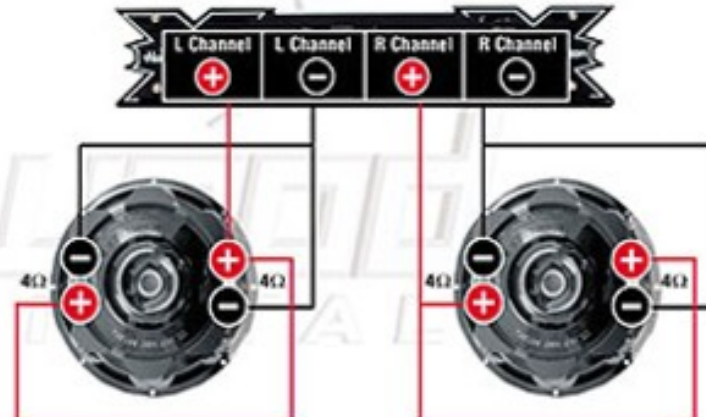
Series to 8Ω (OHM)



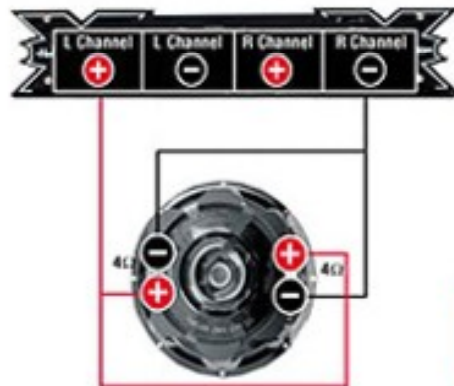
**Stereo Amp
2Ω (OHM) Per Channel**



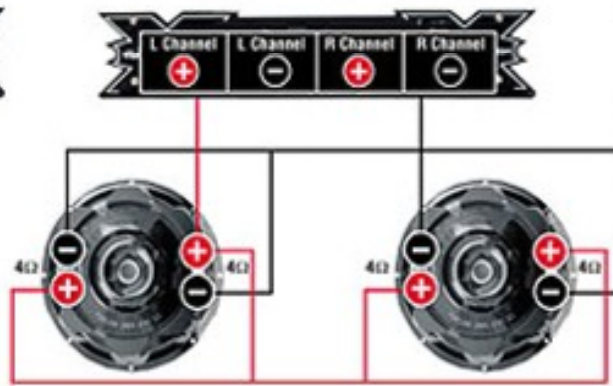
**Mono Block Amp
1Ω (OHM) Load**



**Mono Block Amp
2Ω (OHM) Load**



**Mono Block Amp
1Ω (OHM) Load**



**Mono Block Amp
2Ω (OHM) Load**

